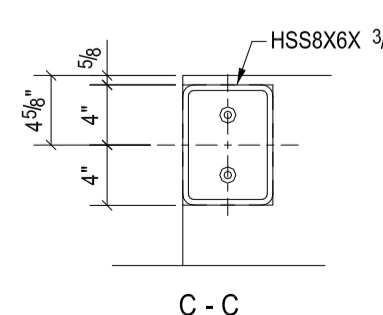
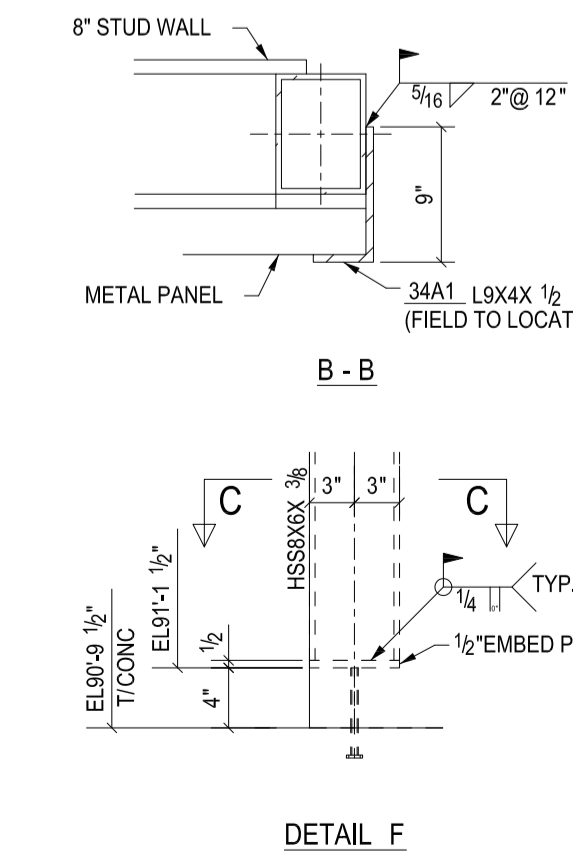
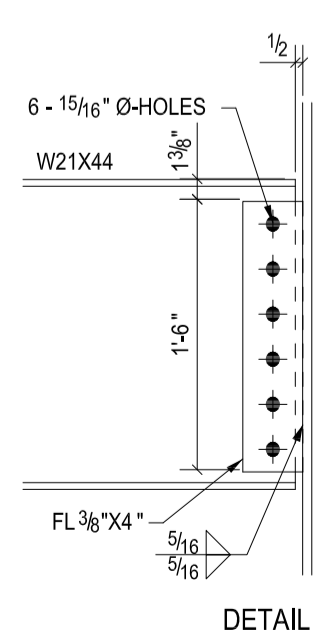
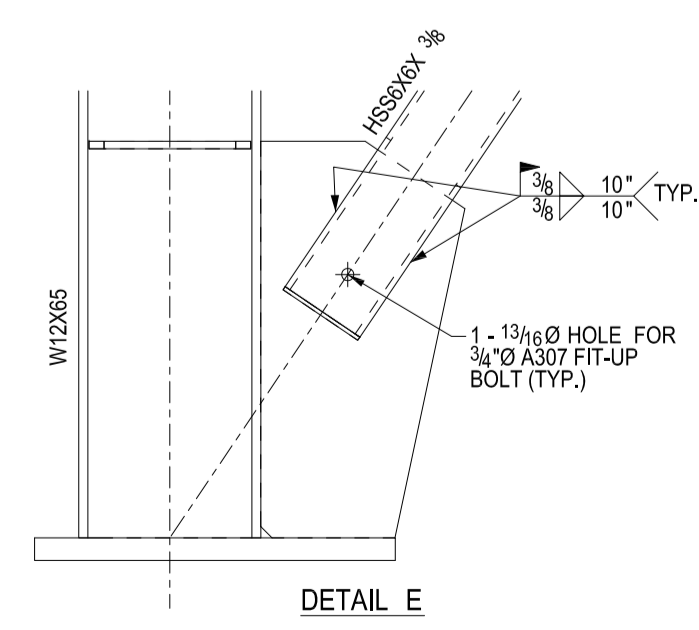
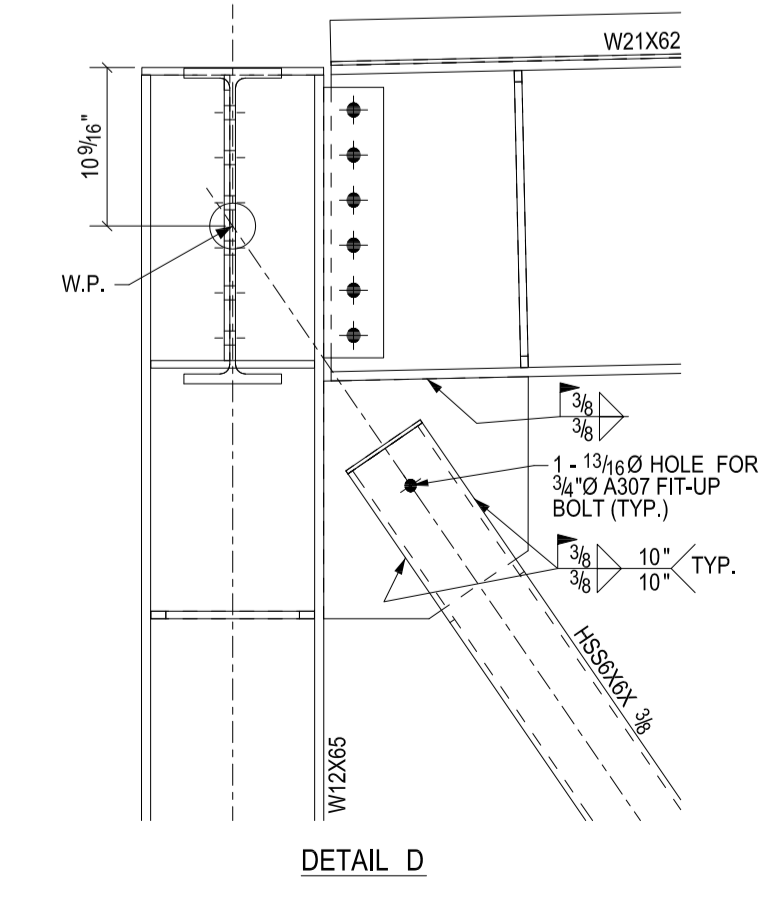
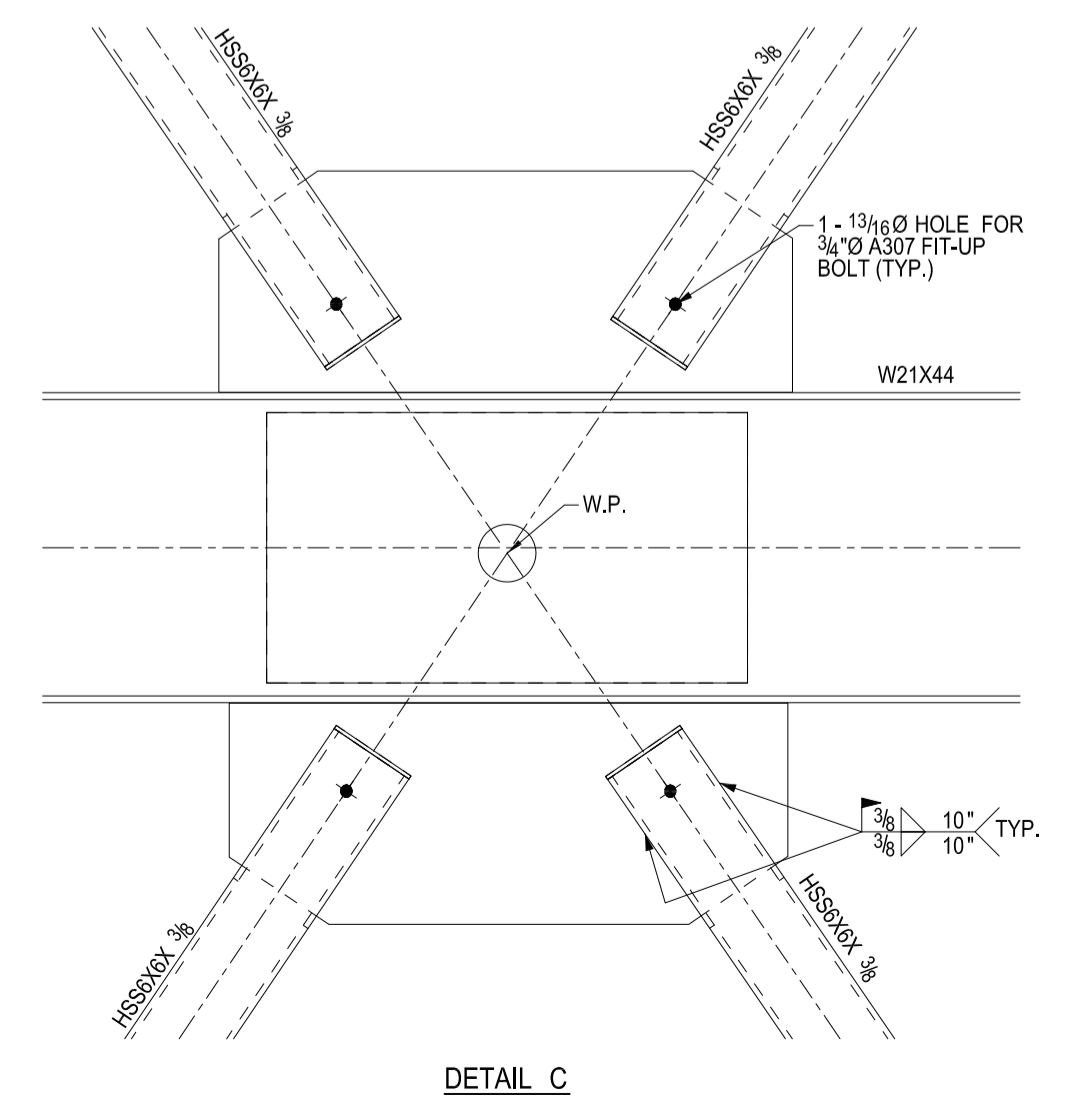


ELEVATION OF GRID 17



REV	DESCRIPTION	DATE
FAB NAME FAB ADDRESS FAB CITY/STATE		
DESCRIPTION		ELEVATION OF GRID 17
PROJECT NAME		PROJ. NAME
DRAWN BY		JOB No.
DATE DRAWN		PROJ#
		DRG No.
		E341