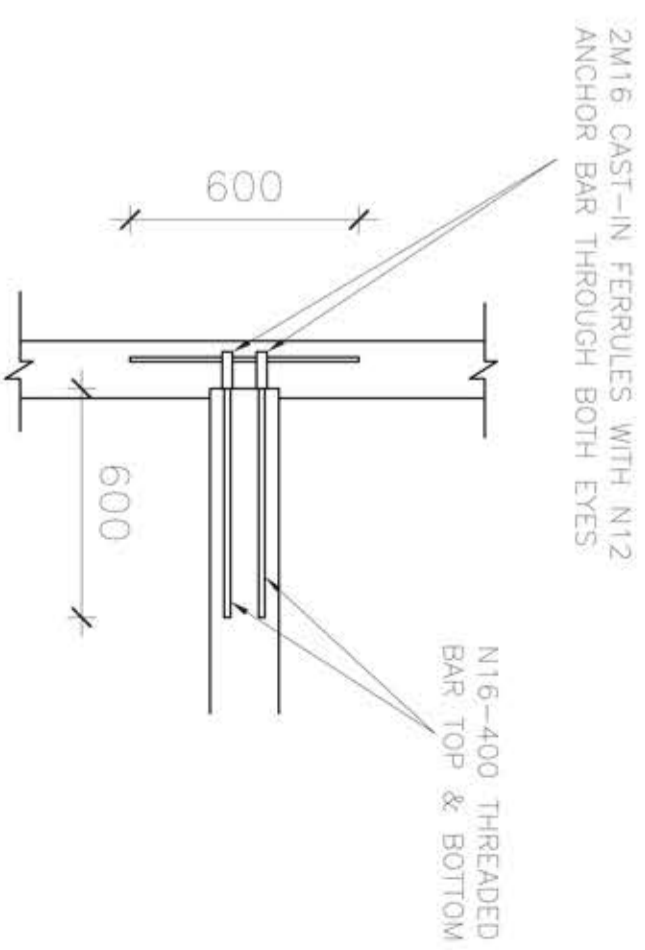


N16 THREADED BAR CENTRAL

STEEL CONSTRUCTION DETAILING



SUSPENDED SLAB TO 150/300 RECESS IN PANEL

SECTION

1
12

(REVISED DETAIL FROM WESTERA & PARTNERS SHEETS 11&13)